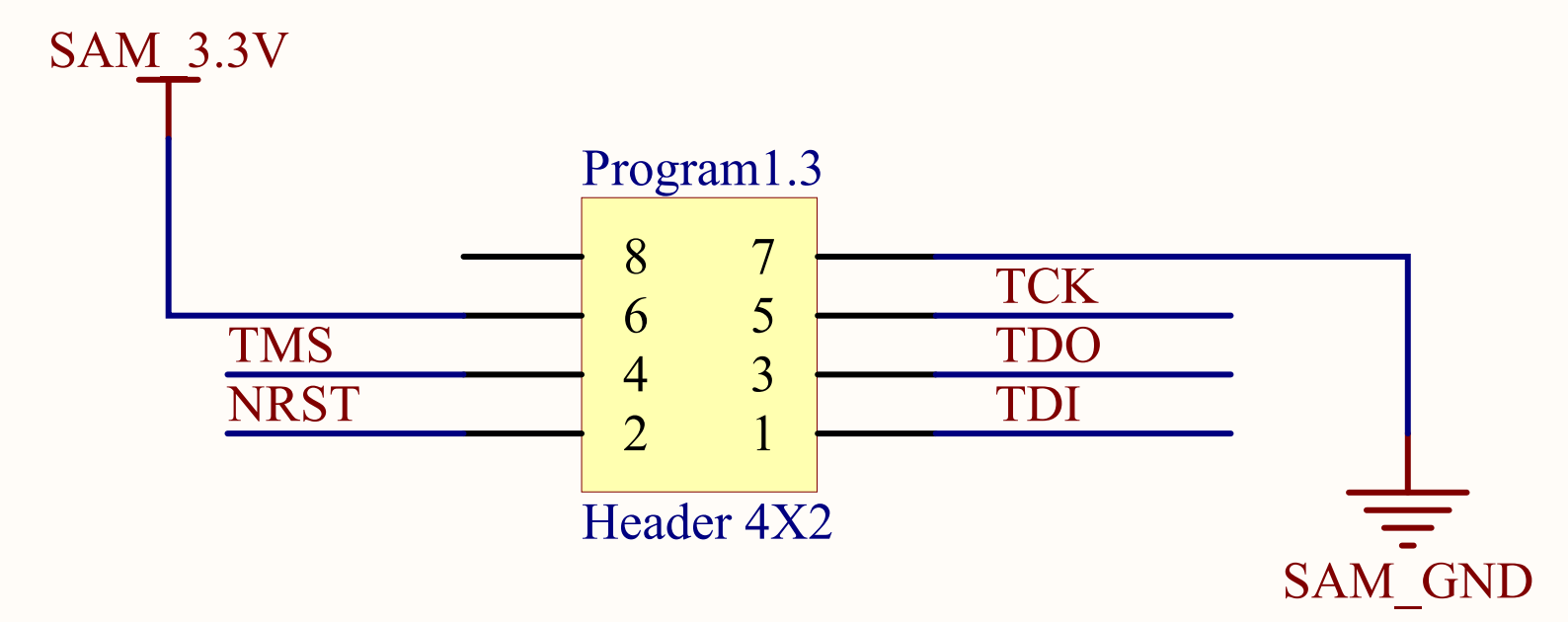
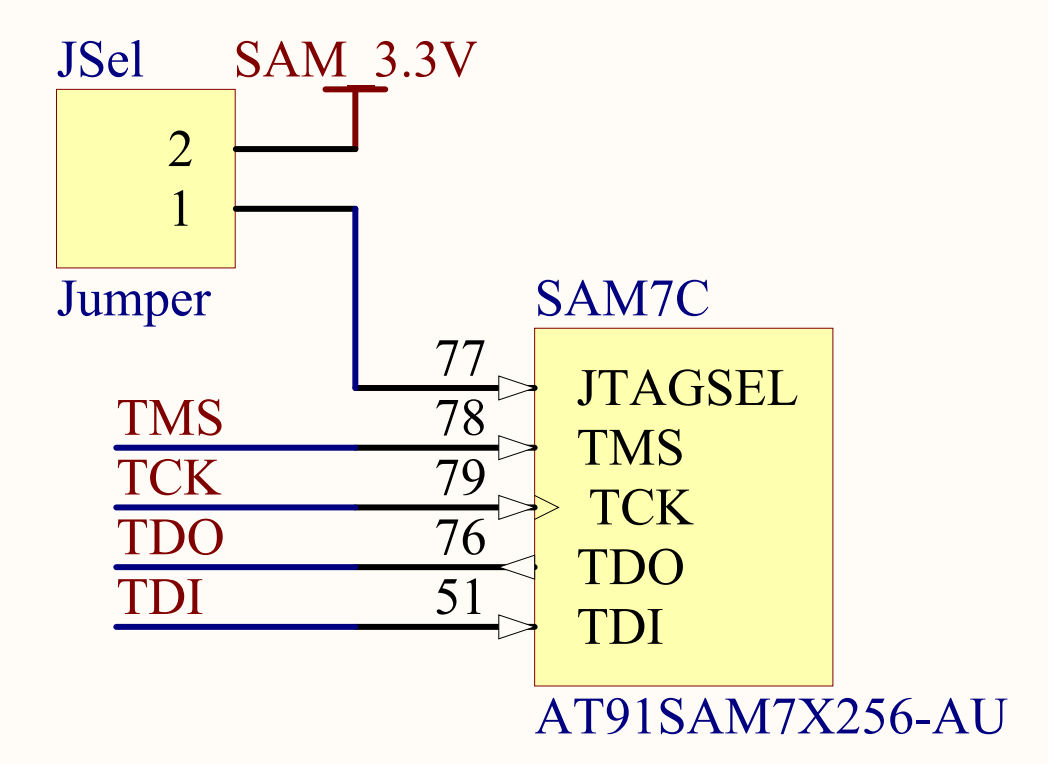
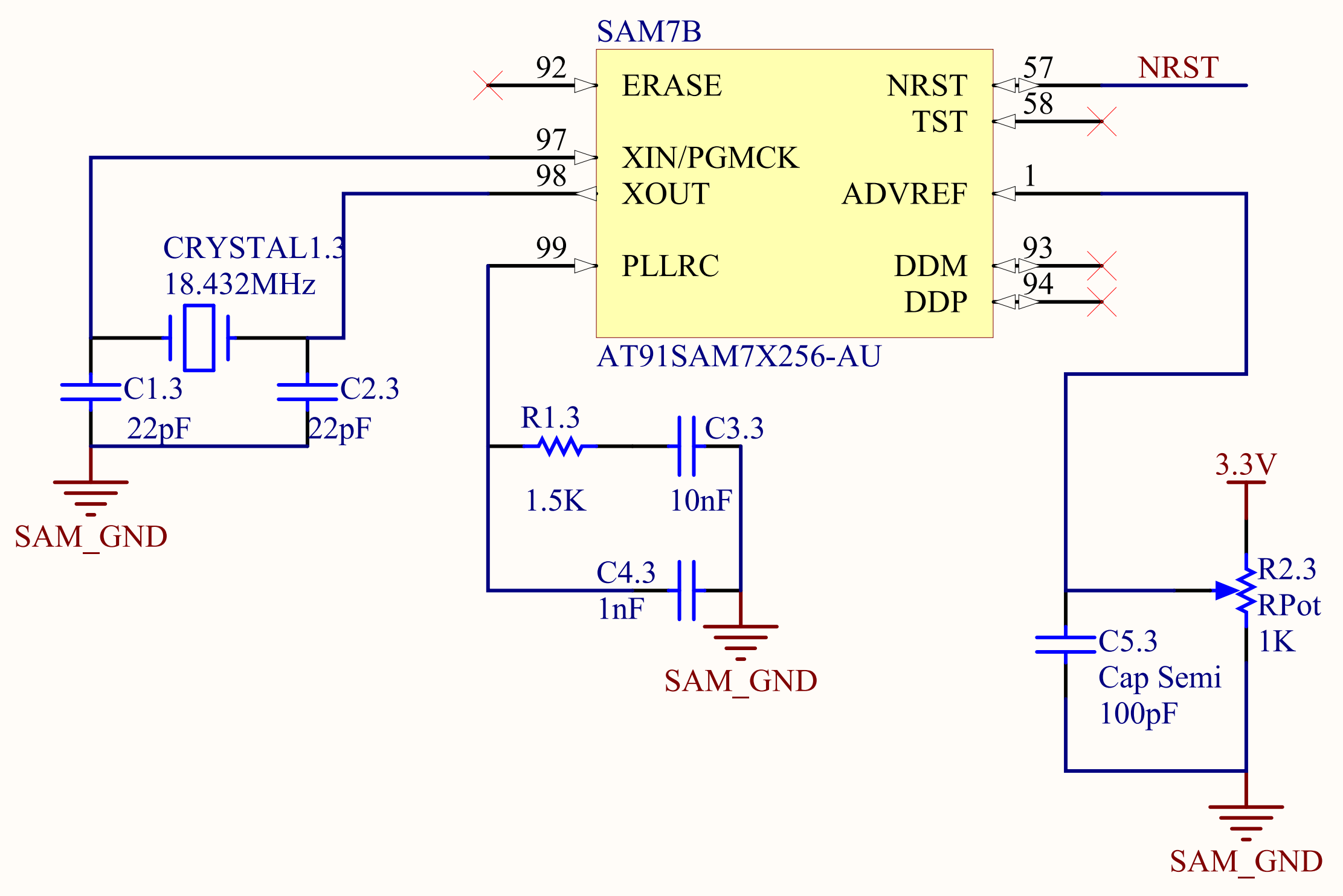
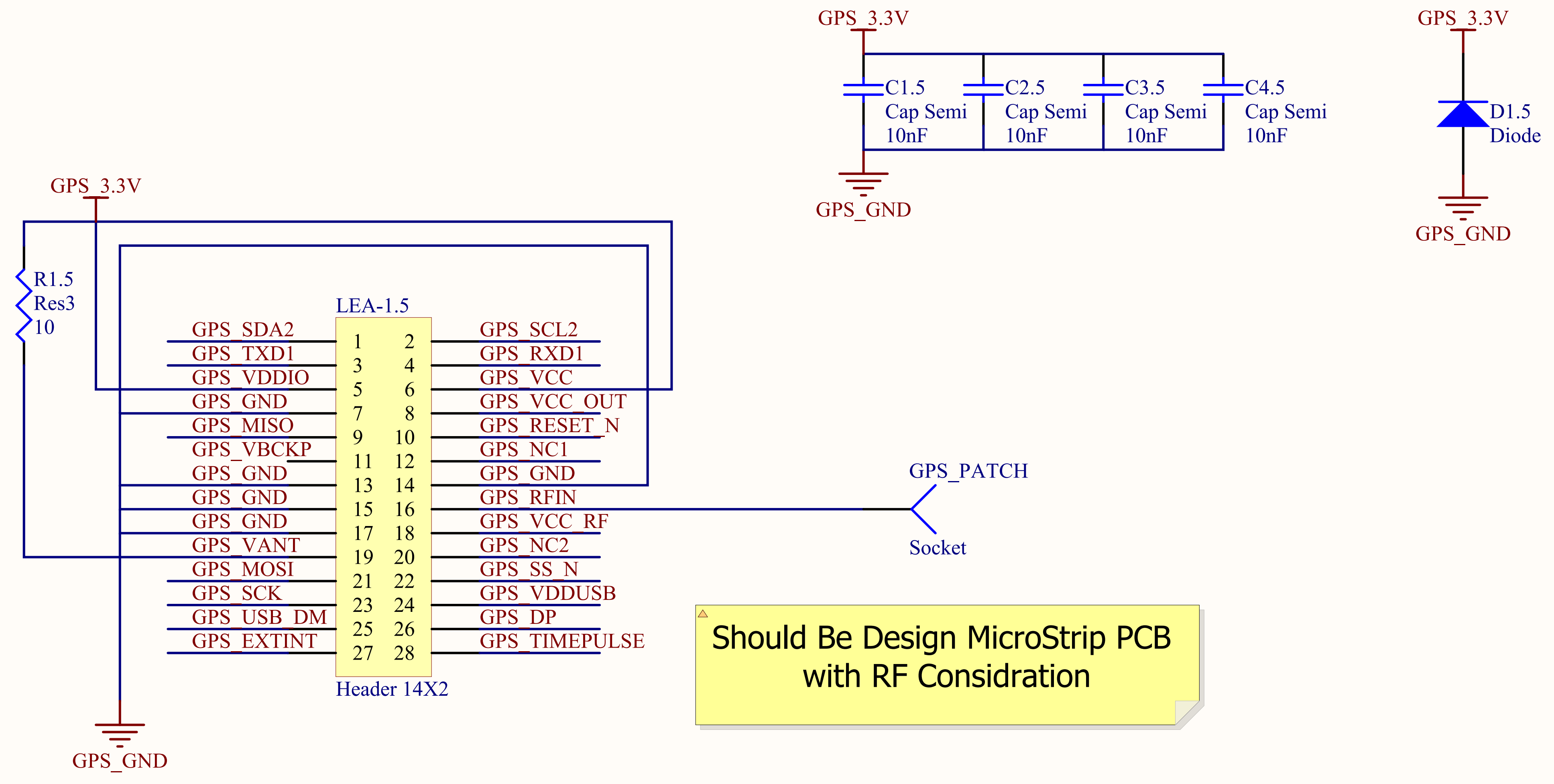


Title		
Size	Number	Revision
A		
Date:	10/2/2011	Sheet of
File:	D:\Works\...\CanSat_ADXL330.SchDoc	Drawn By:

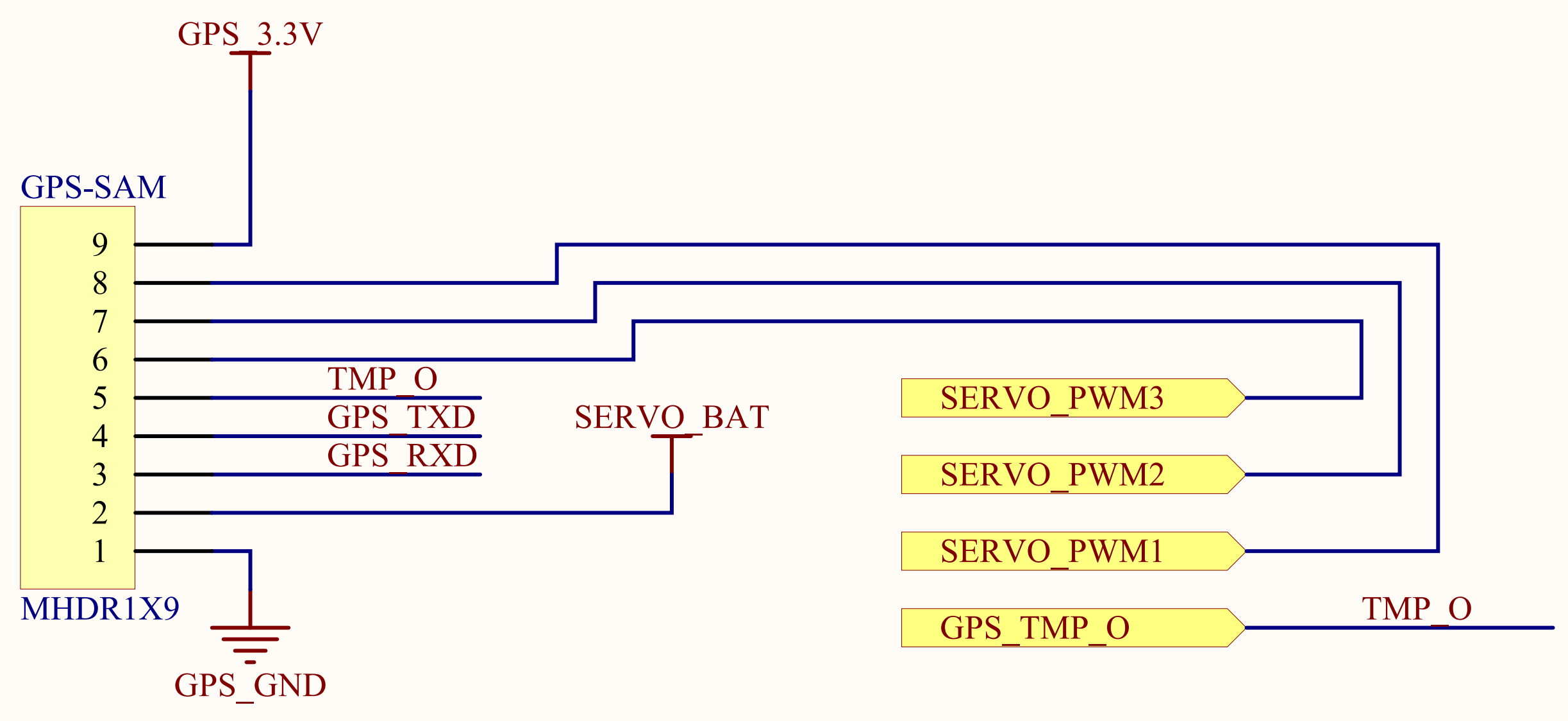


>> Notification <<  
Need standard JLINK Connector on the other side

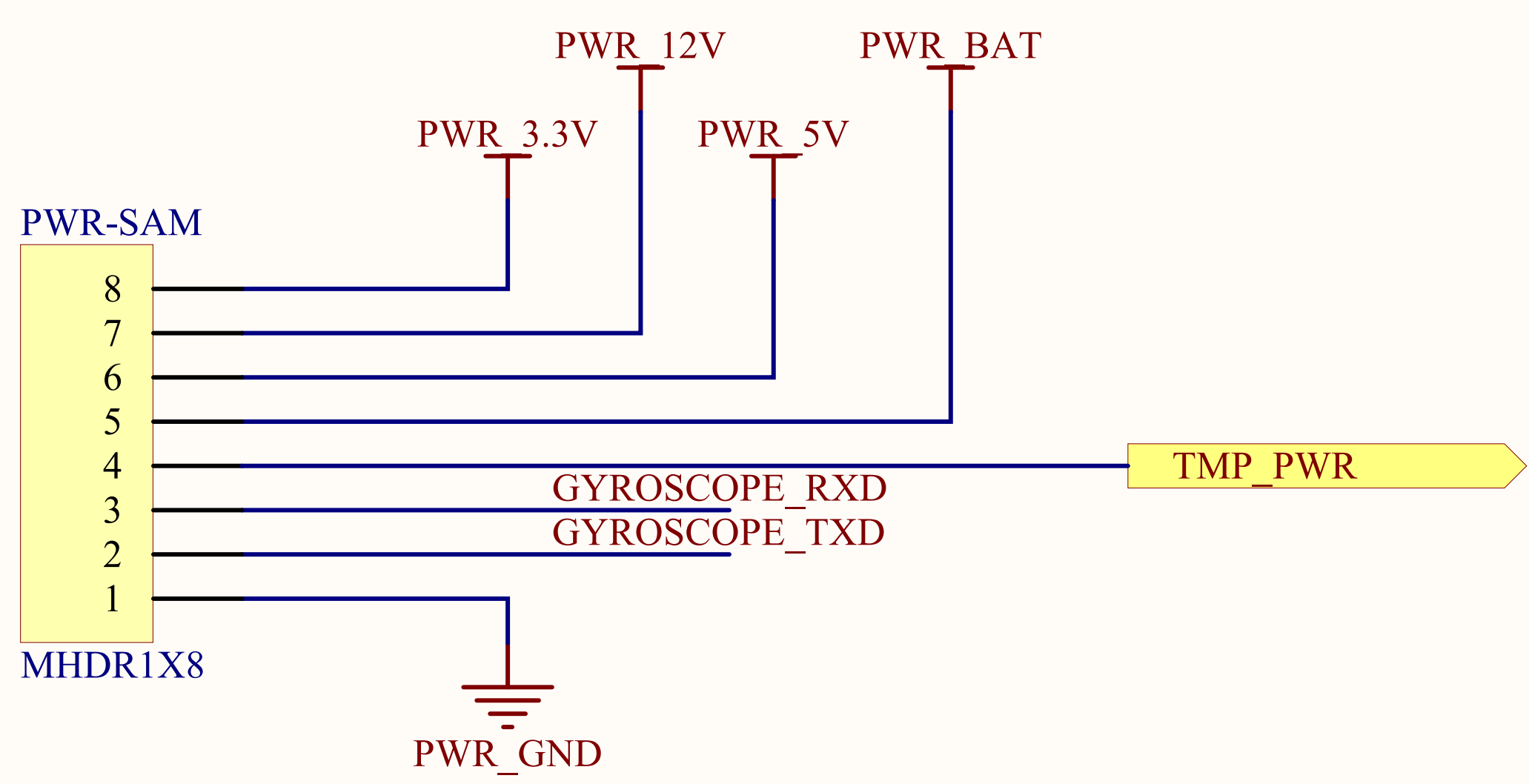
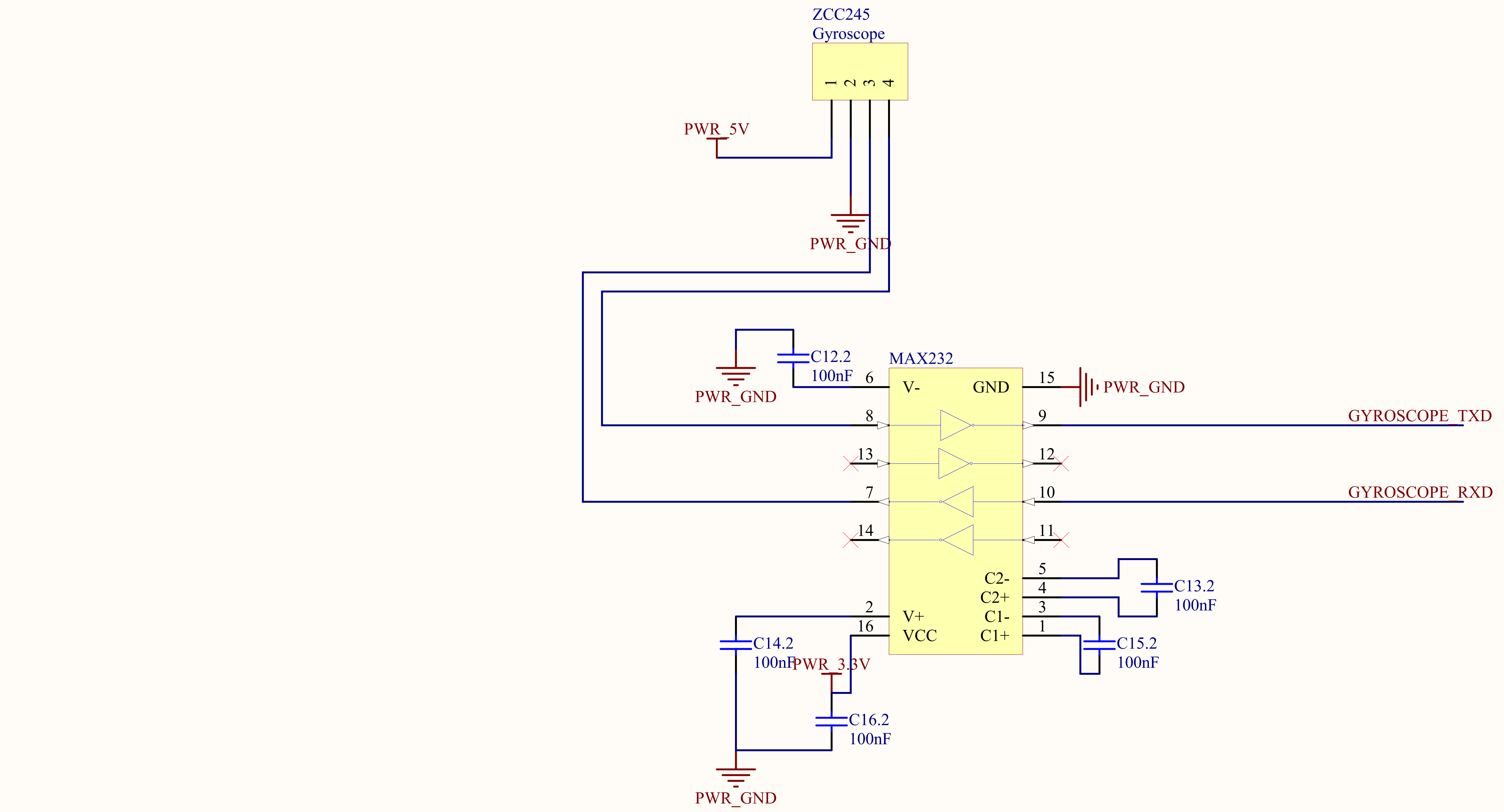
Title		
Size	Number	Revision
A		
Date:	10/2/2011	Sheet of
File:	D:\Works\...\CanSat_Configurations.SchDoc Drawn By:	



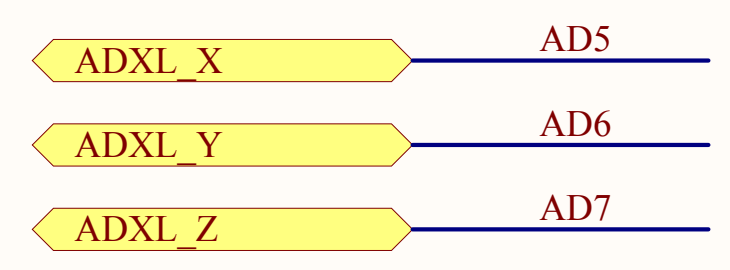
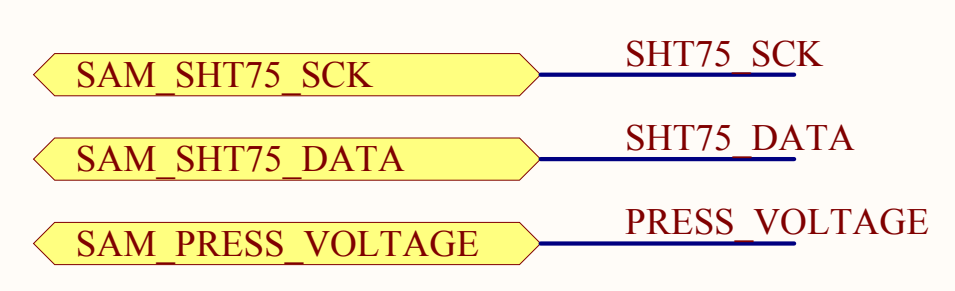
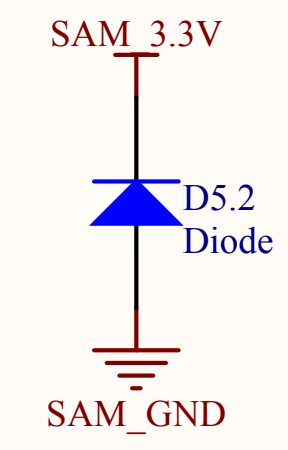
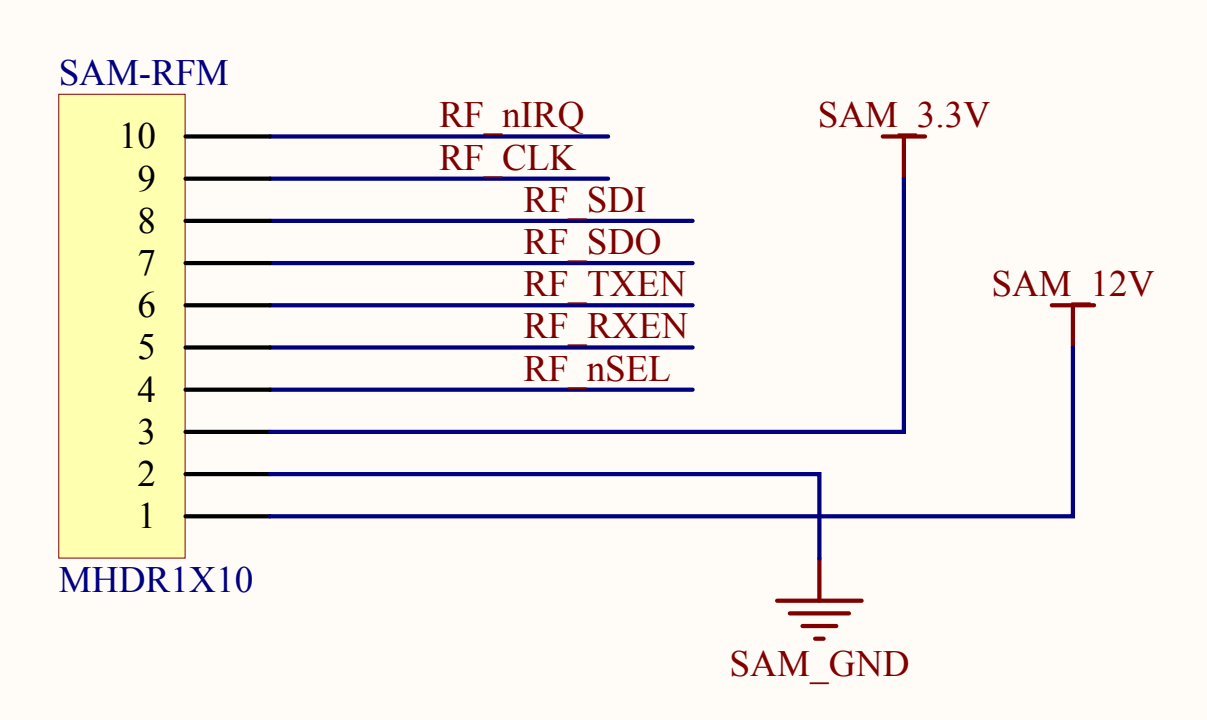
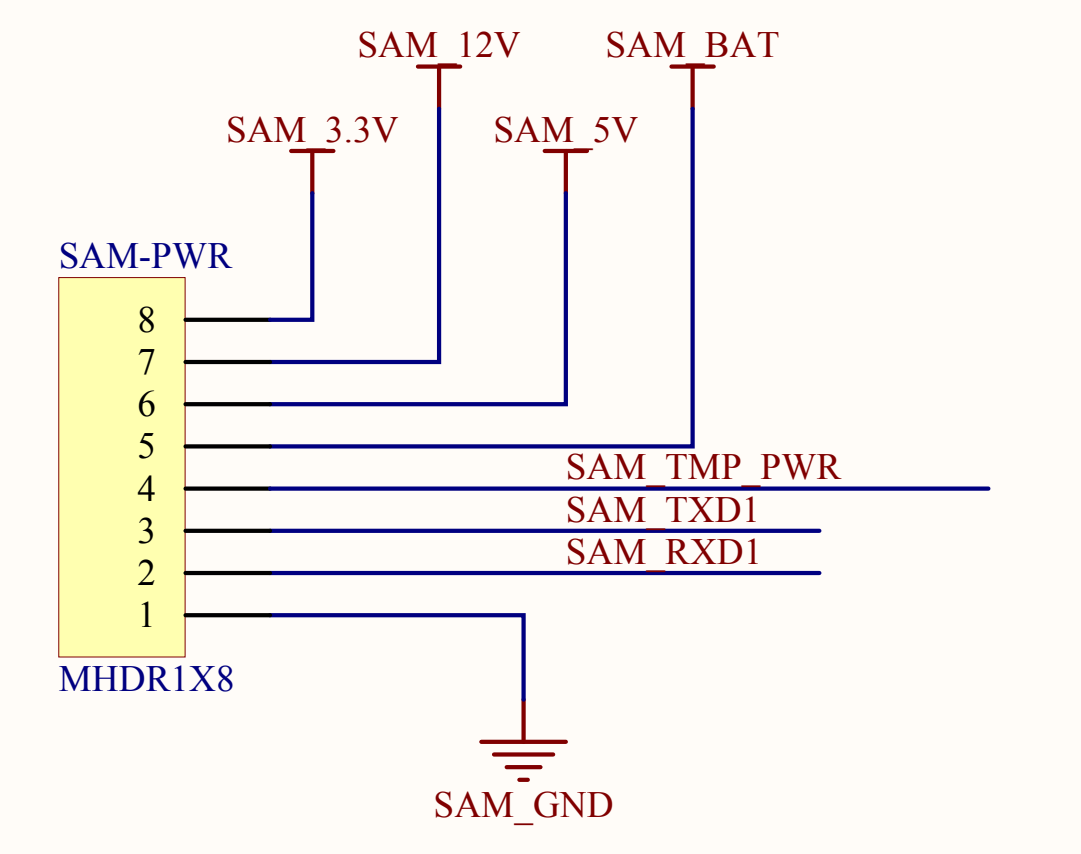
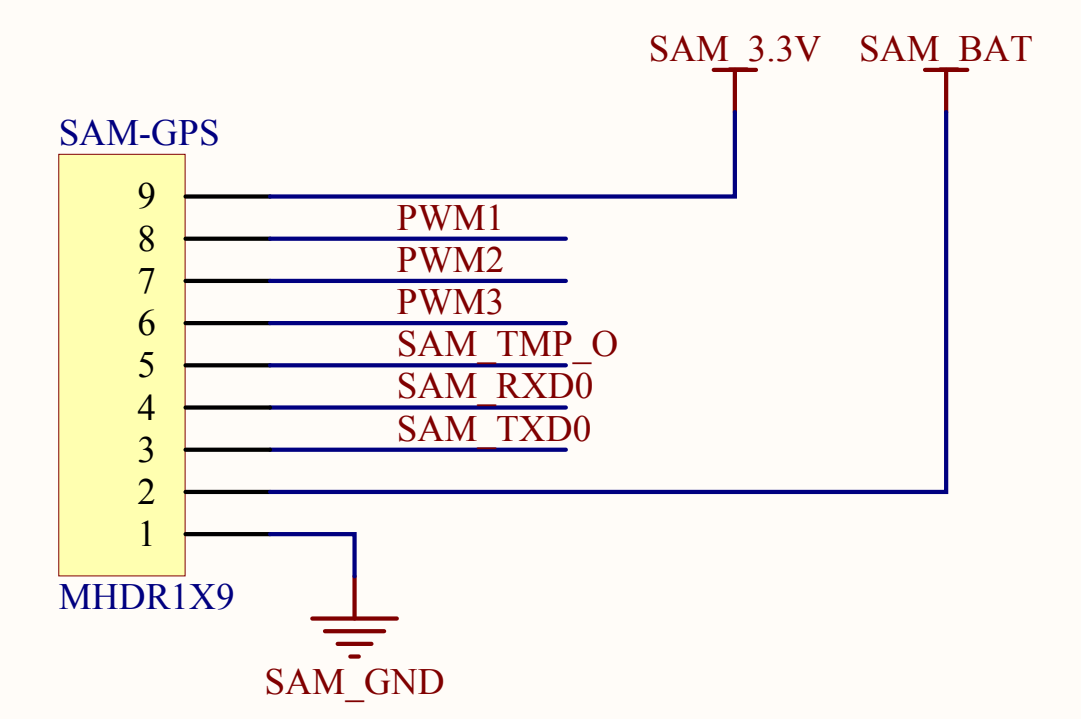
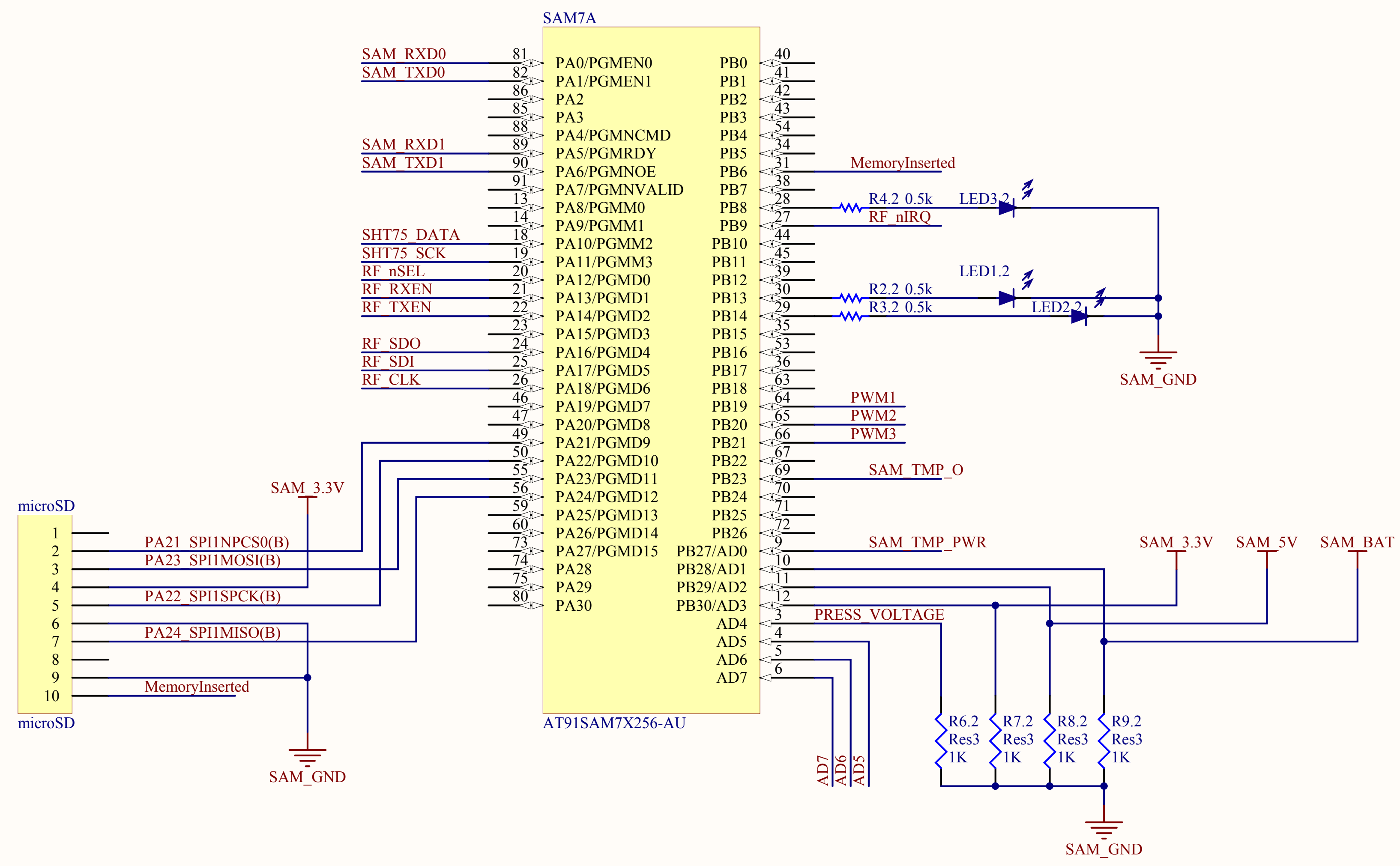
Should Be Design MicroStrip PCB with RF Considration



Title		
Size	Number	Revision
A		
Date:	10/2/2011	Sheet of
File:	D:\Works\...\CanSat_GPS.SchDoc	Drawn By:

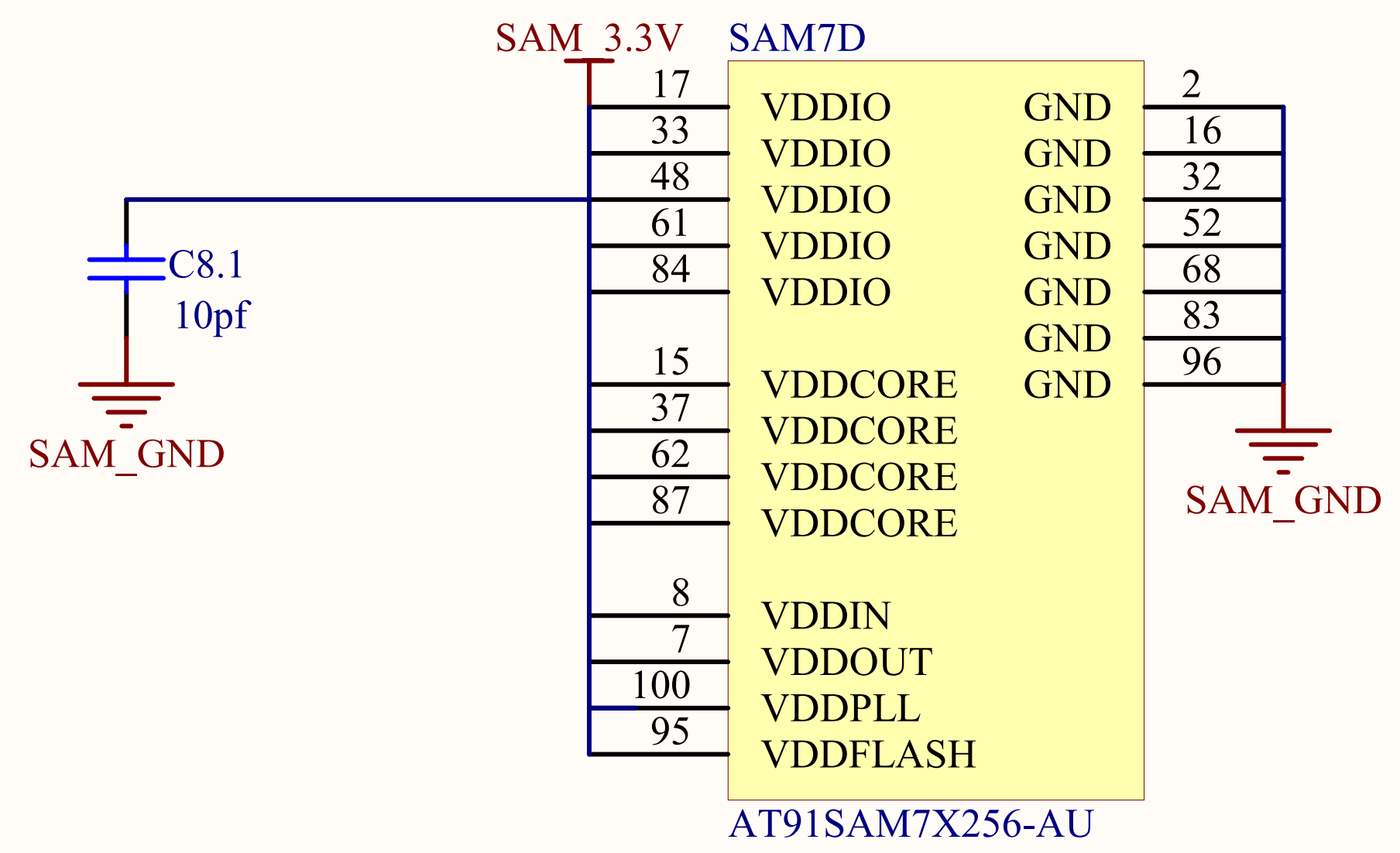
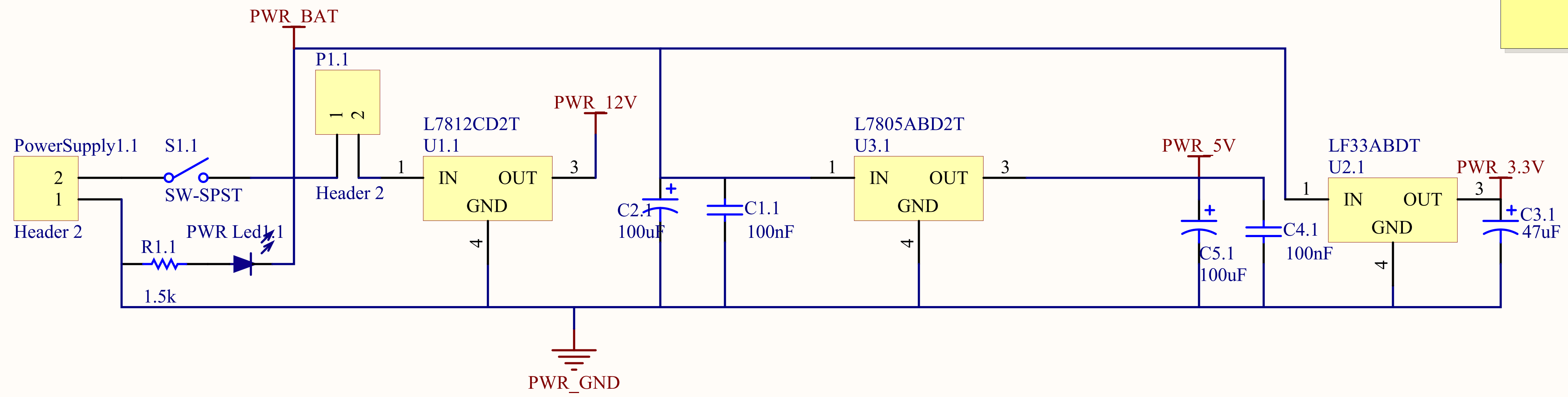


Title		
Size	Number	Revision
A		
Date:	10/2/2011	Sheet of
File:	D:\Works\...\CanSat_Gyroscope.SchDoc	Drawn By:



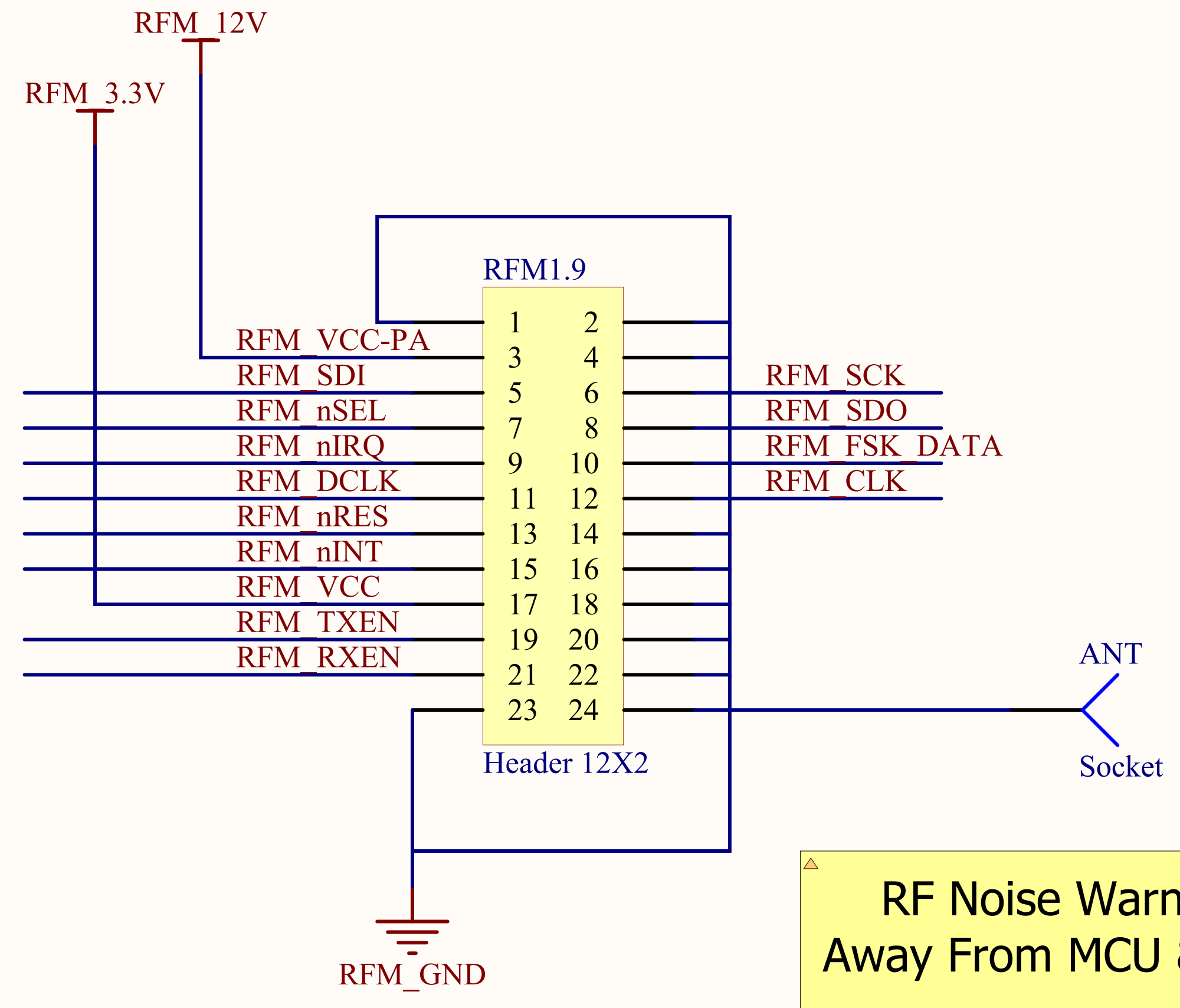
Title		
Size	Number	Revision
B		
Date:	10/2/2011	Sheet of
File:	D:\Works\...\CanSat_Main.SchDoc	Drawn By:

... ادخ مرگ ه ...

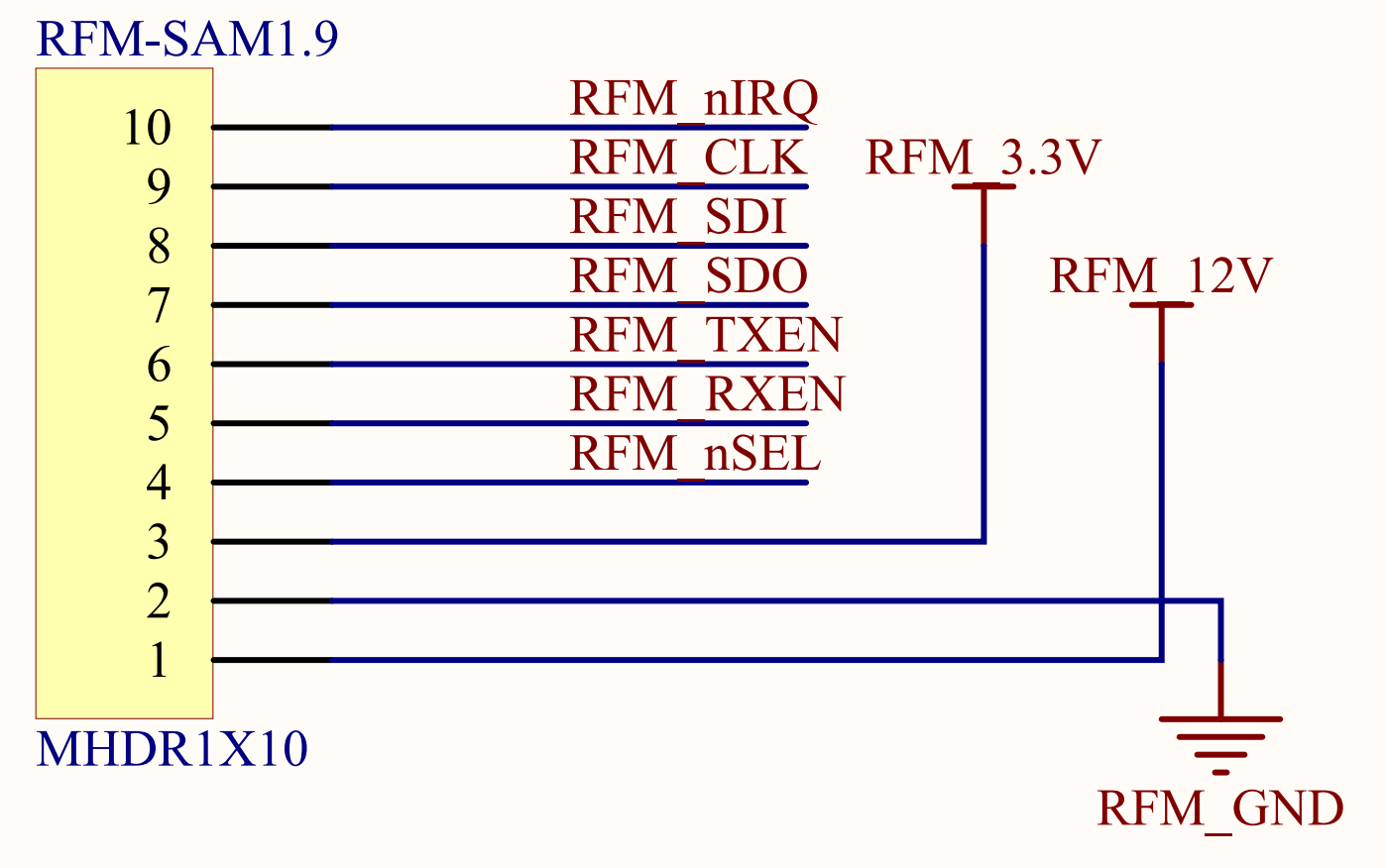
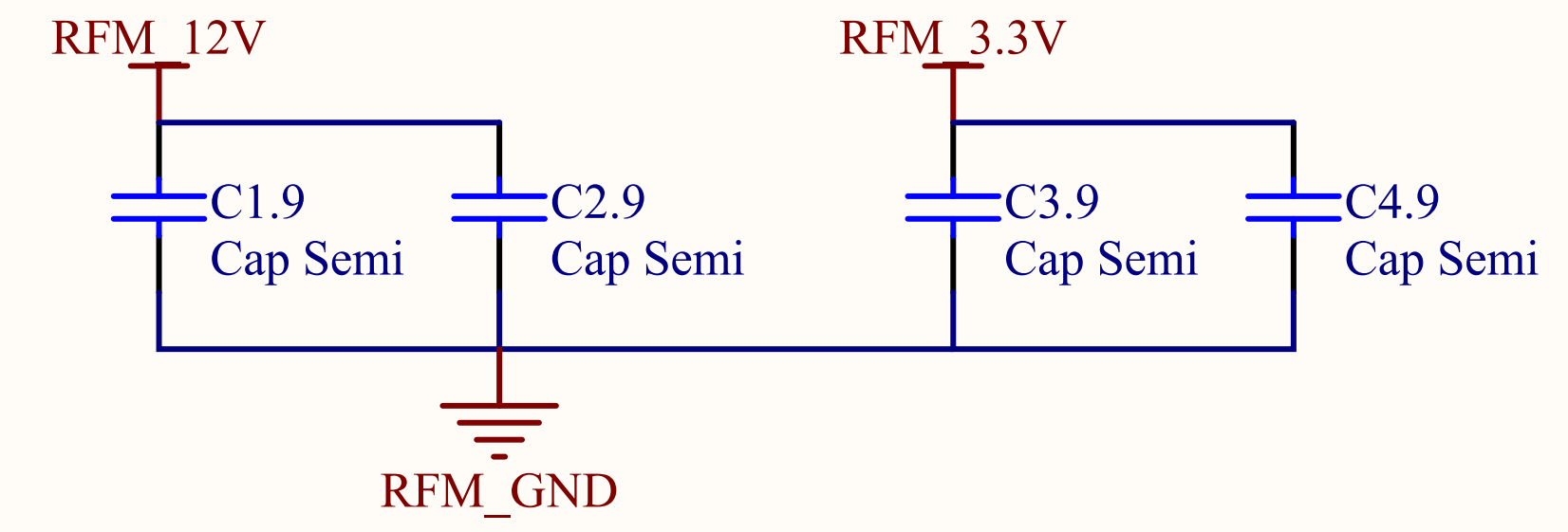
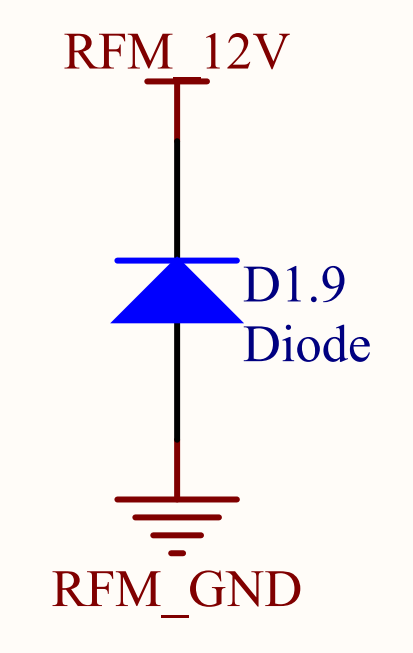


Title		
Size	Number	Revision
A		
Date:	10/2/2011	Sheet of
File:	D:\Works\...\CanSat_Power.SchDoc	Drawn By:

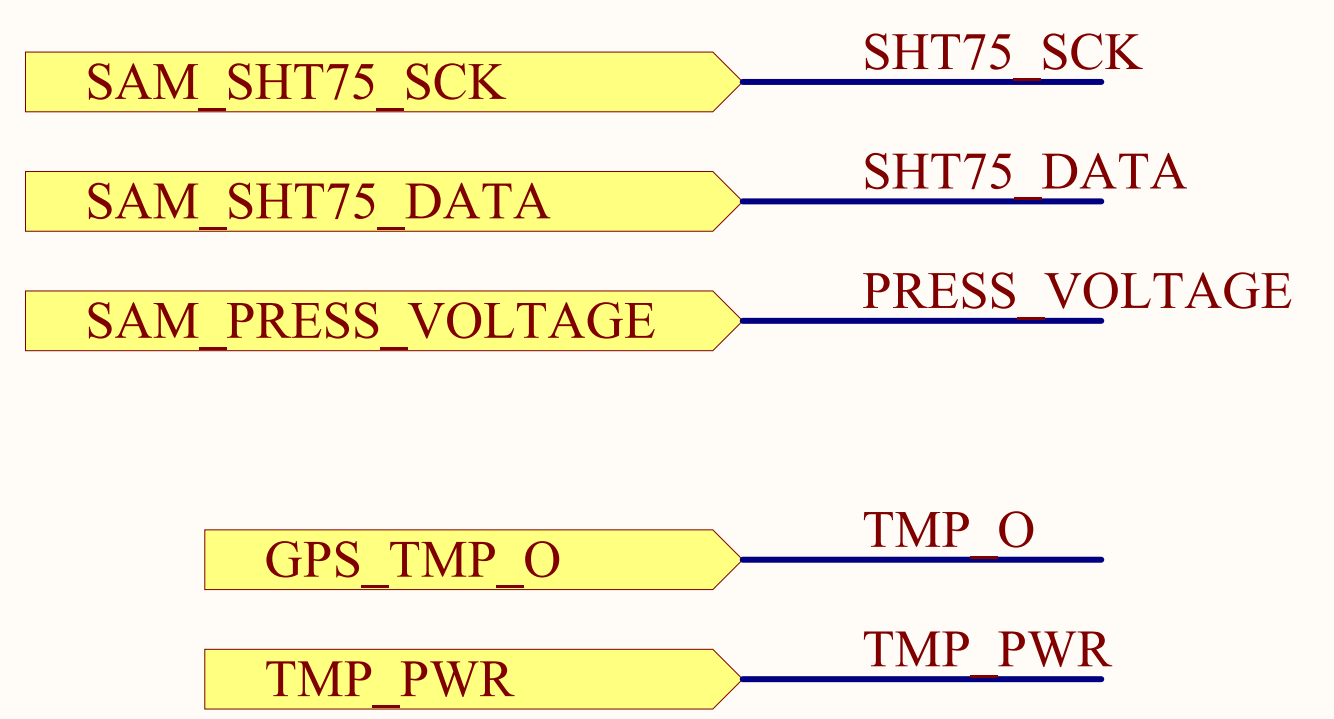
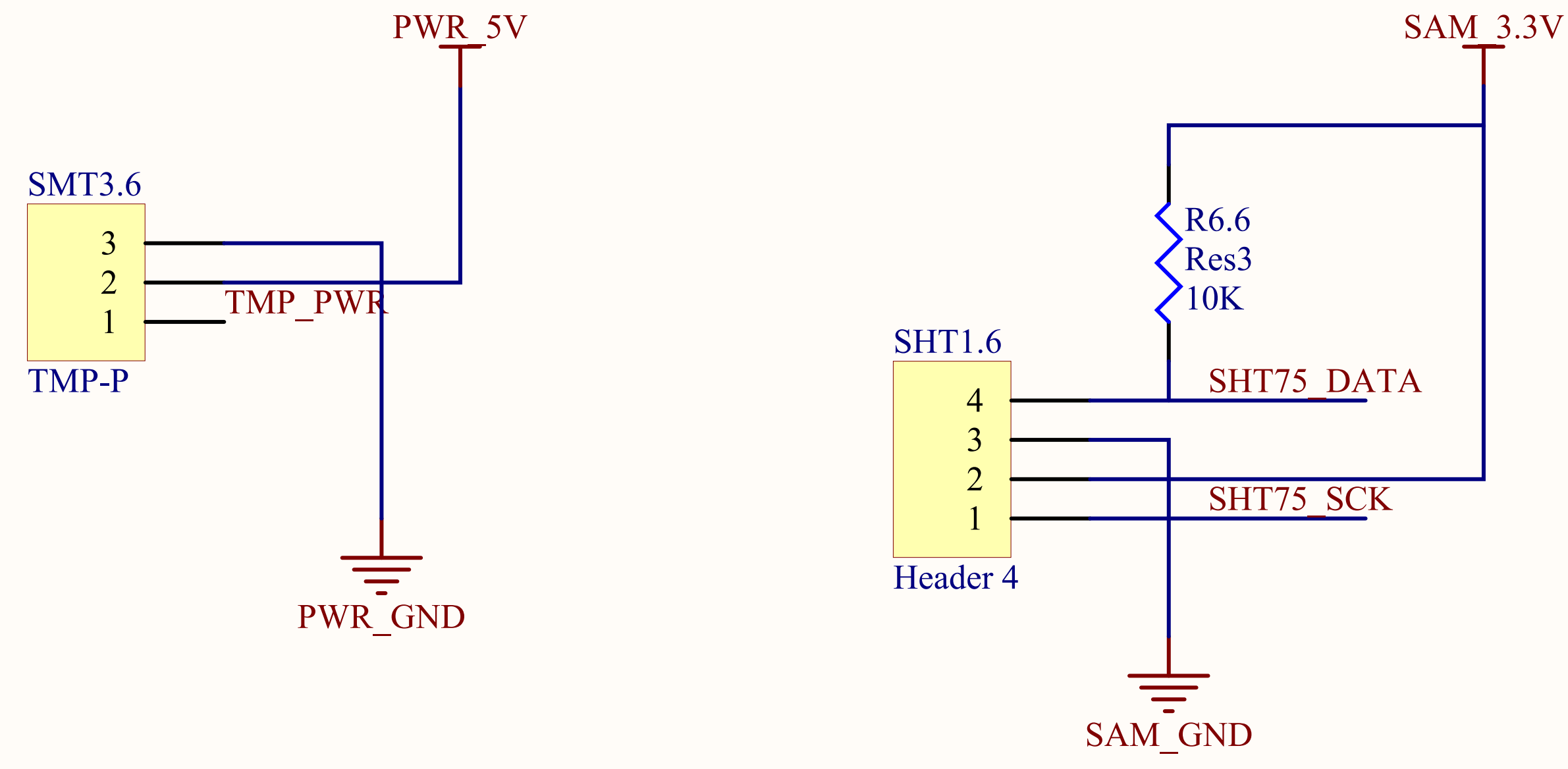
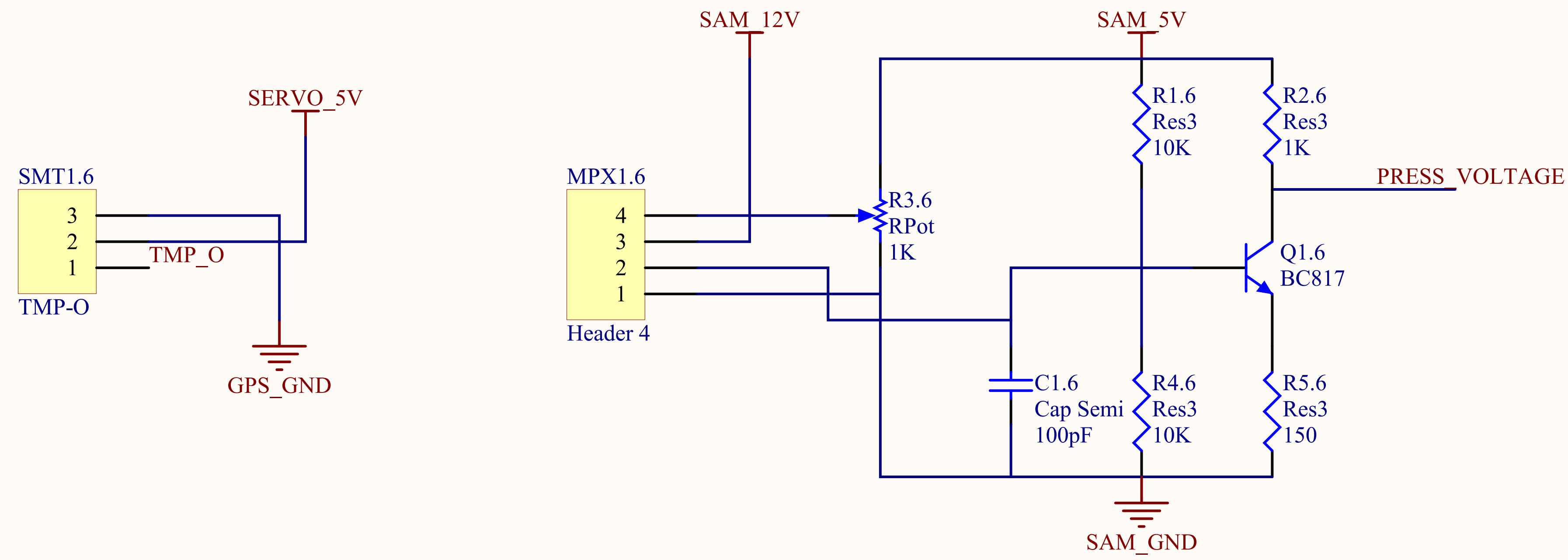




**RF Noise Warning**  
Away From MCU & GPS

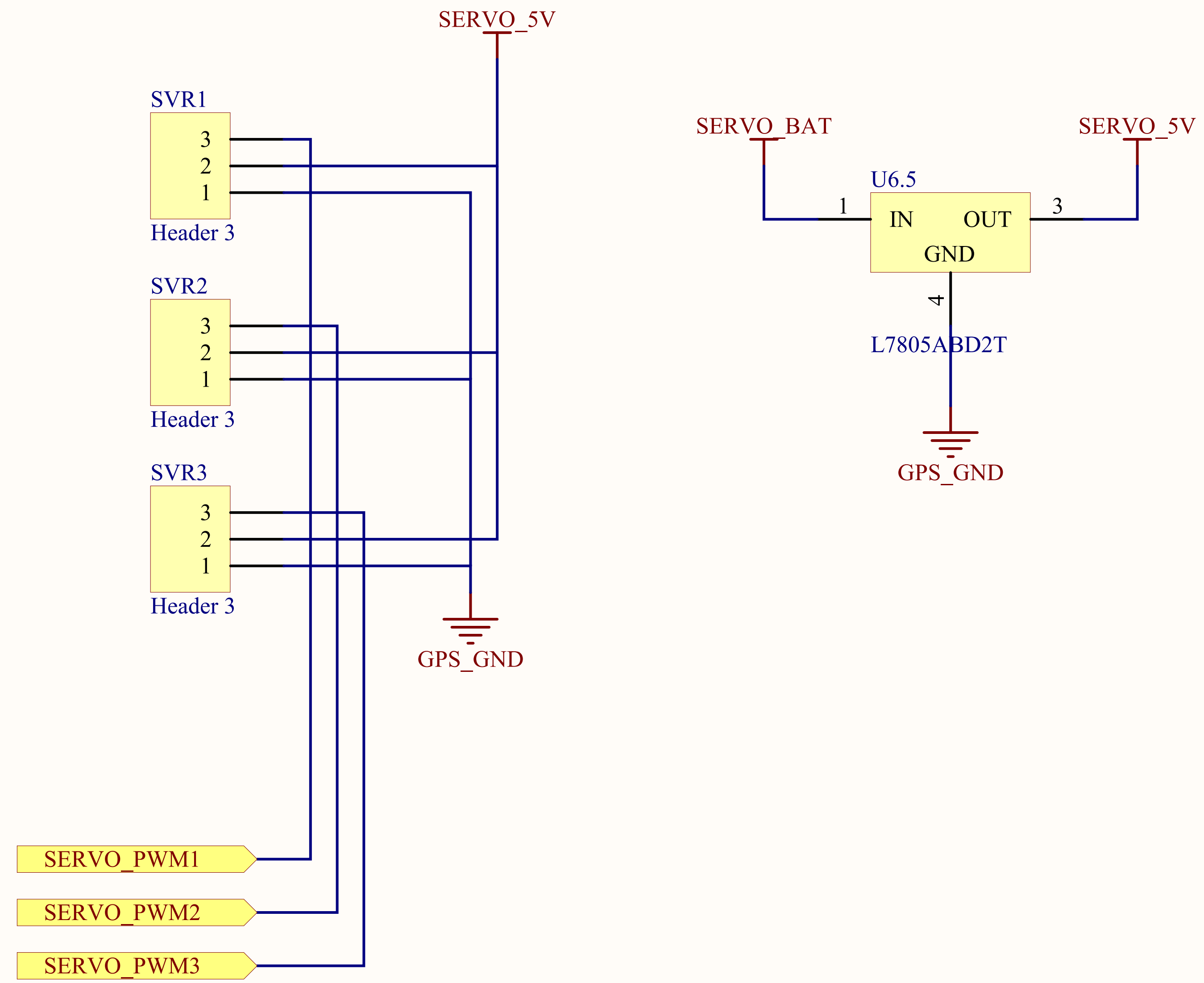


Title		
Size	Number	Revision
A		
Date:	10/2/2011	Sheet of
File:	D:\Works\...\CanSat_RFM.SchDoc	Drawn By:



Title		
Size	Number	Revision
A		
Date:	10/2/2011	Sheet of
File:	D:\Works\...\CanSat_Sensors.SchDoc	Drawn By:





Title		
Size	Number	Revision
A		
Date:	10/2/2011	Sheet of
File:	D:\Works\...\CanSat_Servoboard.SchDoc	Drawn By:

